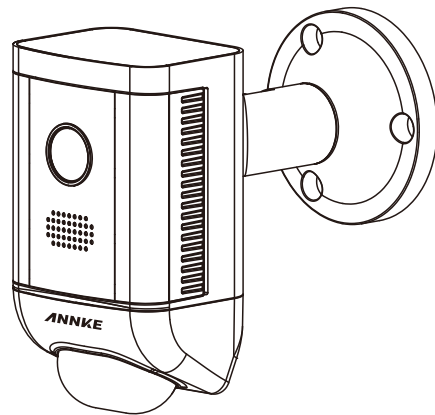


ANNKE

2 MP Spotlight Camera User Manual



User Manual

Thank you for purchasing our product. If there are any questions, or requests, do not hesitate to contact the dealer.

This manual may contain several technical incorrect places or printing errors, and the content is subject to change without notice. The updates will be added to the new version of this manual. We will readily improve or update the products or procedures described in the manual.

Regulatory Information

FCC Information

Please take attention that changes or modification not expressly approved by the party responsible for compliance could void the user's authority to operate the equipment.


FCC compliance: This equipment has been tested and found to comply with the limits for a Class A digital device, pursuant to part 15 of the FCC Rules. These limits are designed to provide reasonable protection against harmful interference when the equipment is operated in a commercial environment. This equipment generates, uses, and can radiate radio frequency energy and, if not installed and used in accordance with the instruction manual, may cause harmful interference to radio communications. Operation of this equipment in a residential area is likely to cause harmful interference in which case the user will be required to correct the interference at his own expense.


FCC Conditions


This device complies with part 15 of the FCC Rules. Operation is subject to the following two conditions:

- 1.This device may not cause harmful interference.
- 2.This device must accept any interference received, including interference that may cause undesired operation.

EU Conformity Statement

 This product and - if applicable - the supplied accessories too are marked with "CE" and comply therefore with the applicable harmonized European standards listed under the Low Voltage Directive 2014/35/EU, the EMC Directive 2014/30/EU, the RoHS Directive 2011/65/EU.

 2012/19/EU (WEEE directive): Products marked with this symbol cannot be disposed of as unsorted municipal waste in the European Union. For proper recycling, return this product to your local supplier upon the purchase of equivalent new equipment, or dispose of it at designated collection points. For more information see: www.recyclethis.info

 2006/66/EC (battery directive): This product contains a battery that cannot be disposed of as unsorted municipal waste in the European Union. See the product documentation for specific battery information. The battery is marked with this symbol, which may include lettering to indicate cadmium (Cd), lead (Pb), or mercury (Hg). For proper recycling, return the battery to your supplier or to a designated collection point. For more information see: www.recycle-this.info

Industry Canada ICES-003 Compliance

This device meets the CAN ICES-3 (A)/NMB-3(A) standards requirements.

Warning

This is a class A product. In a domestic environment this product may cause radio interference in which case the user may be required to take adequate measures.



Safety Instruction

These instructions are intended to ensure that user can use the product correctly to avoid danger or property loss.

The precaution measure is divided into "Warnings" and "Cautions"

Warnings: Serious injury or death may occur if any of the warnings are neglected.

Cautions: Injury or equipment damage may occur if any of the cautions are neglected.

	
Warnings Follow these safeguards to prevent serious injury or death.	Cautions Follow these precautions to prevent potential injury or material damage.

Warnings

- Proper configuration of all passwords and other security settings is the responsibility of the installer and/or end-user.
- In the use of the product, you must be in strict compliance with the electrical safety regulations of the nation and region. Please refer to technical specifications for detailed information.
- Input voltage should meet both the SELV (Safety Extra Low Voltage) and the Limited Power Source with 100~240 VAC or 12 VDC according to the IEC60950-1 standard. Please refer to technical specifications for detailed information.
- Do not connect several devices to one power adapter as adapter overload may cause over-heating or a fire hazard.
- Please make sure that the plug is firmly connected to the power socket.
- If smoke, odor or noise rise from the device, turn off the power at once and unplug the power cable, and then please contact the service center.

Cautions

- Do not drop the camera or subject it to physical shock.
- Do not touch sensor modules with fingers.
- Do not place the camera in extremely hot, cold (the operating temperature shall be -40°C to 45°C), dusty or damp locations, and do not expose it to high electromagnetic radiation.
- If cleaning is necessary, use clean cloth with a bit of ethanol and wipe it gently.
- Do not aim the camera at the sun or extra bright places.
- The sensor may be burned out by a laser beam, so when any laser equipment is in using, make sure that the surface of sensor will not be exposed to the laser beam.
- Do not expose the device to high electromagnetic radiation or extremely hot, cold, dusty or damp environment.
- To avoid heat accumulation, good ventilation is required for the operating environment.
- Keep the camera away from liquid while in use for non-water-proof device.
- While in delivery, the camera shall be packed in its original packing, or packing of the same texture.

Mark Description

Table 0-1 Mark Description

Mark	Description
— — —	DC Voltage

1 Introduction

1.1 Product Features

4-IN-1 HD TVI/AHD/CVI/CVBS video output:

- High performance CMOS sensor
- IR cut filter with auto switch
- OSD menu with configurable parameters
- Auto white balance
- internal synchronization
- SMART IR mode
- PIR detection
- 3-axis adjustment

1.2 Overview

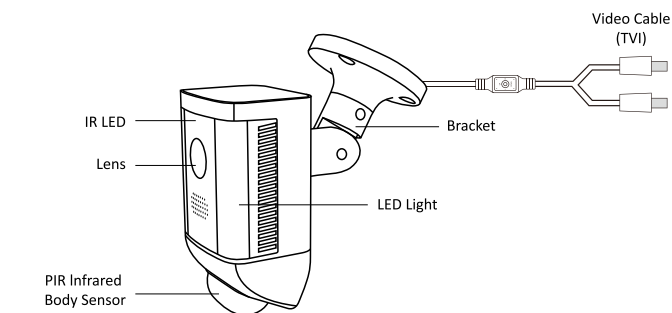


Figure 1-1 Camera Overview

2 Installation

Before you start

- Make sure that the device in the package is in good condition and all the assembly parts are included.
- Make sure that all the related equipment is power-off during the installation.
- Check the specification of the products for the installation environment.
- Check whether the power supply is matched with your power output to avoid the damage.
- Make sure the wall is strong enough to withstand three times the weight of the camera, and the mount.
- If the wall is cement, insert expansion bolts before installing the camera. If the wall is wooden, use self-tapping screws to secure the camera.
- If the product does not function properly, contact your dealer or the nearest service center. Do NOT disassemble the camera for repair or maintenance by yourself.

2.1 Ceiling/Wall Mounting without Junction Box Steps:

1. Paste the drill template (supplied) to the place where you want to install the camera.
2. Drill the screw holes and the cable hole (optional) in the ceiling/wall according to the drill template.

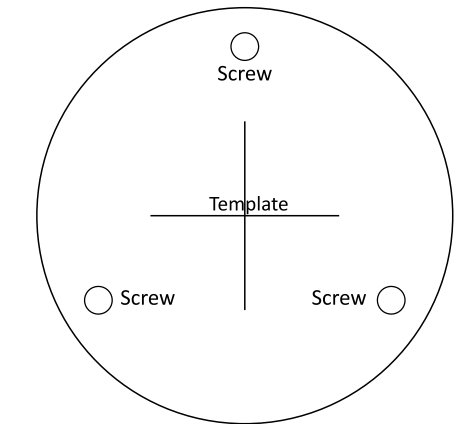


Figure 2-1 Drill Template

Note:

Drill the cable hole, when adopting the ceiling outlet to route the cable.

3. Attach the bracket to the ceiling/wall, and secure the camera with supplied screws.

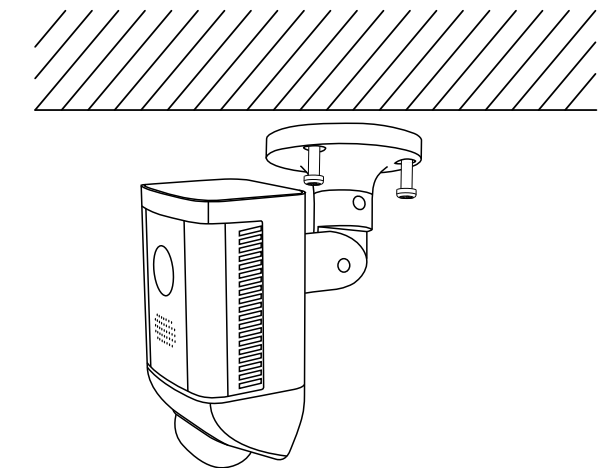


Figure 2-2 Fix the Camera to the Ceiling

Note:

- The supplied screw package contains self-tapping screws, and expansion bolts.
- For cement wall/ceiling, expansion bolts are required to fix the camera. For wooden wall/ceiling, self-tapping screws are required.

4. Route the cables through the cable hole, or the side opening.
5. Connect the corresponding power cord, and video cable.
6. Power on the camera to check whether the image on the monitor is gotten from the optimum angle. If not, adjust the camera according to the figure below to get an optimum angle.

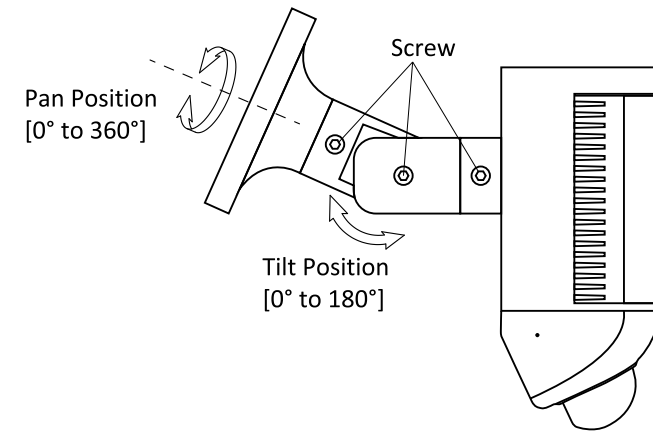


Figure 2-3 3-axis Adjustment

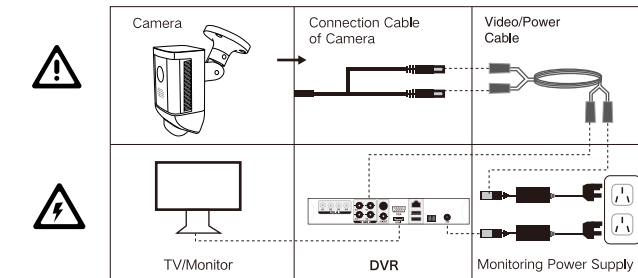
- 1). Loosen the P screw to adjust the pan position [0° to 360°]. Tighten the screw after completing the adjustment.
- 2). Loosen the T screw to adjust the tilt position [0° to 180°]. Tighten the screw after completing the adjustment.

INSTALLATION

Using DVR as surveillance mainframe
 Required equipment: Camera; Bracket (Dome camera unnecessary); Power Adapter; Cable; DVR; Hard Disk Drive (HDD); Monitor or Television.

Installation step:

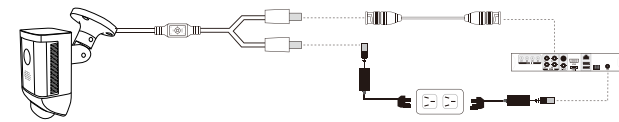
- A. Installing the HDD into the DVR. Turning on the DVR then connecting it to the camera to debug the whole monitoring equipment.
- B. Installing the camera and confirming the location of DVR.
- C. Wiring and connecting the video connector of camera and DVR video cable. Refer to the pictures below for detailed connection.



Note: This process is only for connection. Please prepare DVR, Power Adapter, Video Cable in advance.

MODE SWITCH

The 4-in-1 camera supports TVI/AHD/CVI/CVBS output modes, default video mode is TVI, it is equipped with a directional button to switch the video mode. You can connect the camera and DVR with the provided video cable, and switch the camera's video mode as follows:



- Access OSD menu: Press and hold the button for 5 seconds;
- Switch to AHD: Push the button leftward for 5 seconds;
- Switch to TVI: Push the button rightward for 5 seconds;
- Switch to CVBS: Push the button upward for 5 seconds;
- Switch to CVI: Push the button downward for 5 seconds.

Note:
 All-in-one camera is to facilitate with different modes of DVR, please confirm your DVR mode and standard before switch mode.

ANNKE

DE

BEDIENUNGSANLEITUNG CCTV KAMERA

WARNHINWEIS:

Es besteht die Gefahr eines elektrischen Schlages

Warnhinweis:

Um das Risiko eines Stromschlags zu reduzieren, sollten nur ein Techniker die vordere oder hintere Abdeckung entfernen.

Warnhinweis:

Zur Vermeidung von elektrischen Schlägen und Brandgefahr wählen Sie bitte das entsprechende Netzteil für die Kamera.

Warnhinweis:

Ähnliche Änderungen oder Modifikationen, die nicht durch unser Unternehmen bei der Konstruktion des Produkts genehmigt wurden, können den Betrieb durch den Benutzer beeinträchtigen.

WARNHINWEIS:

- 01 / Installieren Sie die Kamera nicht in einer Umgebung, die nicht im vorgeschriebenen Temperaturbereich liegt.**
 Installieren und verwenden Sie die Kamera in Umgebungen zwischen -10°C und ~ + 45°C und bei guter Belüftung.
- 02 / Verwenden Sie die Kamera nicht in Umgebungen mit hohem Druck und stark ätzenden oder anderen speziellen Umgebungen.**
 Dies kann dazu führen, dass die Kamera nicht richtig arbeitet oder beschädigt werden kann.
- 03 / Verwenden Sie die Kamera nicht an einem Ort, der voller Staub ist und an dem Gas austritt.**
 Dies kann dazu führen, dass die Kamera nicht mehr funktioniert.
- 04 / Versuchen Sie nicht, die Kamera auseinander zu nehmen.**
 Wenn dies notwendig ist, tun Sie es bitte unter der Anleitung von professionellen Technikern.
- 05 / Lassen Sie die Kamera nicht fallen und schütteln Sie sie nicht.**
 Dies kann dazu führen, dass die Kamera nicht mehr funktioniert.
- 06 / Berühren Sie das vordere Objektiv und den Sensor der Kamera nicht.**
 Achten Sie darauf, dass Sie keine Fingerabdrücke oder andere Flecken hinterlassen. Wenn die Kamera Blitzen oder anderem intensiven Licht ausgesetzt ist, kann das Bild unscharf werden.
 Vor dem Anschluss an die Stromversorgung prüfen Sie bitte, ob diese die Anforderungen der Spezifikation erfüllt oder nicht.

PRODUKTEIGENSCHAFTEN

- High-Performance Chips, hohe Auflösung, klare und feine Bilder
- Unterstützt automatischen Weißabgleich, hohe Farbanpassung, realistisches Bild
- Unterstützt automatische elektronische Klappe, Anpassung an verschiedene Monitoring-Umgebungen
- Hohes S/N-Verhältnis, das Bild ist klar und angenehm für die Augen
- Unterstützt Privatzonenabdeckung, BLC und digitale, breite Dynamik-Funktion
- Unterstützt Auto-AGC, automatische Helligkeitsanpassung
- Fortschrittliche doppelt verglaste Struktur, kein Lichtaustritt
- Lange Lebensdauer
- Einfache Installation und Fehlersuche

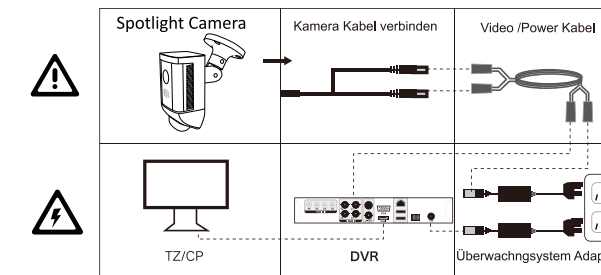
INSTALLATION

Mit DVR als Überwachungs-Mainframe

Erforderliche Ausrüstung: Kamera, Halterung (Dome Kamera unnötig); Netzteil; Kabel; DVR; Festplatte (HDD); Monitor oder Fernseher.

Installationschritte:

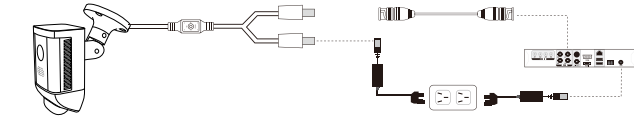
- A. Die Installation der Festplatte in den DVR. Einschalten des DVR, dann verbinden Sie das Gerät mit der Kamera zum Debugging der gesamten Überwachungs-ausrüstung.
- B. Installation der Kamera und Bestätigung der Position des DVR.
- C. Verkabelung und Anschluss des Steckers der Videokamera und des DVR-Kabels. Siehe die Abbildungen unten für die genaue Verbindung.



Hinweis: Dieser Vorgang ist nur für den Anschluss gedacht. Bitte bereiten Sie DVR, Netzteil, Videokabel vorab vor.

MODUSSCHALTER

Die 4-in-1-Kamera unterstützt die Ausgangsmodi TVI/AHD/CVI/CVBS. Der Standard-Video-modus ist AHD. Er ist mit einer Richtungstaste zum Umschalten des Videomodus ausgestattet. Sie können die Kamera und den DVR mit dem mitgelieferten Videokabel anschließen, und wechseln Sie den Videomodus der Kamera wie folgt:



- OSD-Menü zugreifen: Halten Sie die Taste 5 Sekunden lang gedrückt;
- Wechseln zu AHD: Drücken Sie die Taste 5 Sekunden lang nach links;
- Wechseln zu TVI: Drücken Sie die Taste 5 Sekunden lang nach rechts;
- Wechseln zu CVBS: Drücken Sie die Taste 5 Sekunden lang nach oben;
- Wechseln zu CVI: Drücken Sie die Taste 5 Sekunden lang nach unten.

Hinweis: Die All-in-One Kamera erleichtert die verschiedenen Modi des DVR, bitte bestätigen Sie Ihren DVR-Modus und Standard vor dem Umschaltmodus.



For more information, please visit:

www.annke.com

Manufacturer: Shenzhen Kean Digital co., Ltd.
 Address: 10th Floor, Rujun Building, NO. 105, The Center Road, Bantian Street, Longgang District, Shenzhen, 518129, China
 For technical help please visit help.annke.com
 Tech support: support@annke.com